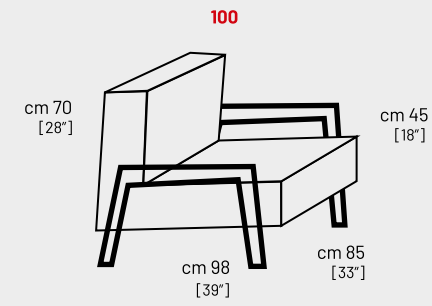


LOLA



GLAM-MORE

# LOLA



**Struttura:** Multistrato e pannelli di particelle in legno classe E1. **Imbottitura Seduta:** Lastre in poliuretano espanso in densità Kg.35. **Imbottitura Spalliera:** Lastre in poliuretano espanso in densità Kg.30. **Piedi:** in metallo in varie finiture.

**Frame:** Multilayer wood and chipboard wood class E1. **Seat Padding:** Layers of non-deformable polyurethane foam 35 Kg density. **Back Padding:** Layers of non-deformable polyurethane foam 30 Kg density. **Feet:** Metal feet in various finishes.

**Carcasse:** bois multicouche + panneaux de particules cl. E1. **Coussins d'assise:** Polyurethane expansé densité 35kg. **Coussins de dos:** Polyurethane expans densité 30Kg. **Pieds:** En métal différentes finitions.